

SELF PROPELLED MINI SCISSOR LIFT

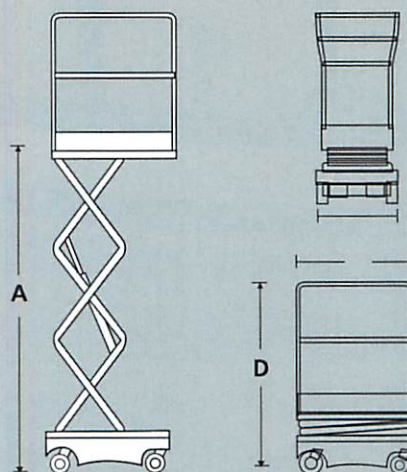
S3010E

DIMENSIONS	S3010E
Max. working height	5.0m
Max. platform height (A)	3.0m
Platform size (stowed)	1.09m x 0.51m
Overall width (B)	0.77m
Overall length (C)	1.26m
Stowed height (D)	1.8m
Ground clearance	58mm

PERFORMANCE	
Platform capacity (SWL)	227kg
Max. drive height	3.0m
Max. wind speed	0m/s
Max. drive speed (stowed)	3.5km/h
Max. drive speed (elevated)	0.64km/h
Raise/lower time	18/25 sec
Gradeability	25%
Max. operating slope	2°
Inside turning radius	0m
Outside turning radius	1.4m
Tyres	230mm dia. non-marking rubber
Parking brake	2 wheel automatic
Controls	2-axis proportional controls
Drive system	DC direct drive

POWER	
Power source	2 x 12V 105Ah
Battery charger	100-240V 50/60Hz Auto, 30 amp

WEIGHT	
Weight	495kg



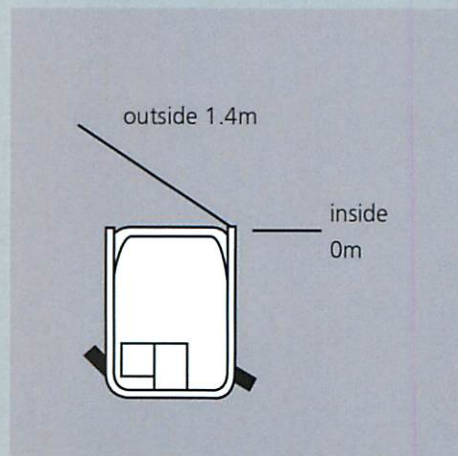
STANDARD FEATURES

- Highly manoeuvrable skid steer
- Zero inside turning radius
- Saloon-door style entry gates
- 1 person + equipment capacity indoor
- Non-marking tyres
- Proportional joystick controls
- Integrated battery charger
- Battery condition indicator
- Crane points & through-the-chassis fork pockets
- Selectable motion alarm
- Tilt & descent alarm
- Hour meter
- Horn
- 2 year parts & labour, 5 year structural warranty
- CE approved

OPTIONS

- Special paint colours
- Environmental hydraulic oil

TURNING RADIUS



Head Office

Banner Plant Limited
Callywhite Lane
Dronfield
Derbyshire S18 2XS

Telephone: 01246 299400

Fax: 01246 290253

E-mail: dronfield@bannerplant.co.uk

www.bannerplant.co.uk



Banner



PUSH-AROUND MINI SCISSOR LIFT

3010P

DIMENSIONS S3010P

Max. working height	5.0m
Max. platform height (A)	3.0m
Overall width (B)	0.68m
Overall length (C)	1.2m
Stowed height (D)	1.8m

PERFORMANCE

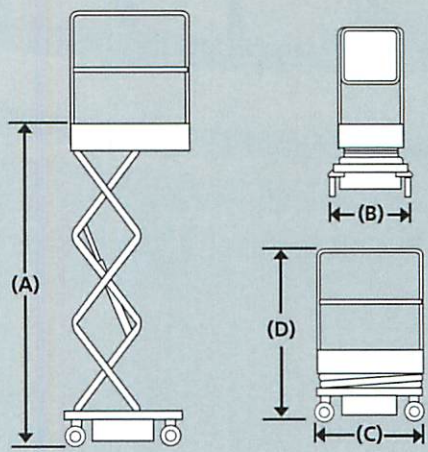
Platform capacity (SWL)	240kg
Max. wind speed	0m/s
Raise/lower time	19/26 sec

POWER

Power source	12V DC battery
Charger	Built in multi-voltage (90V - 240V)

WEIGHT

Weight	370kg
--------	-------



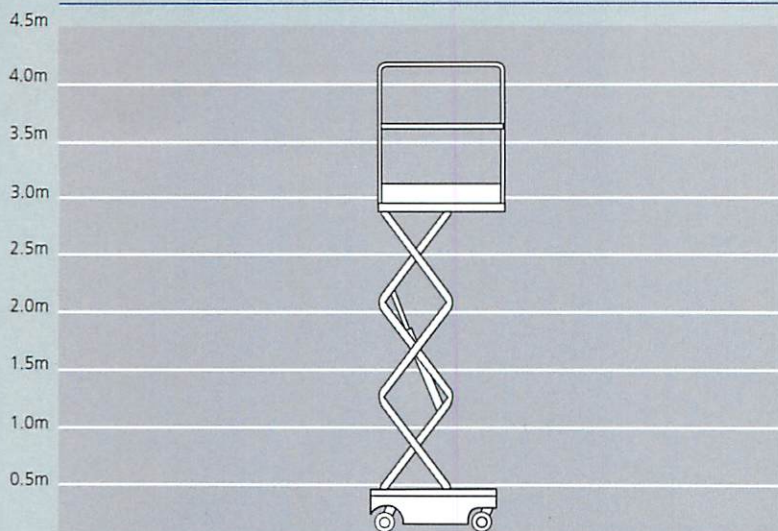
STANDARD FEATURES

- Auto brake system
- Tilt sensor
- Saloon-door style entry gates
- Integrated battery charger 90V-240V
- Battery charge indicator
- Forklift pockets
- Emergency lowering system
- Non-marking casters
- Slide-out service trays
- 2 year parts & labour, 5 year structural warranty
- CE approved

OPTIONS

- Special paint colours
- Environmental hydraulic oil

PLATFORM HEIGHT



S3010P

Head Office

Banner Plant Limited
Callywhite Lane
Dronfield

Derbyshire S18 2XS

Telephone: 01246 299400

Fax: 01246 290253

E-mail: dronfield@bannerplant.co.uk

www.bannerplant.co.uk

