

Specifications

MODELS		GS™-4047	
MEASUREMENTS	Metric	US	
Working height maximum*	13.93 m	45 ft 1.5 in	
A Platform height maximum	11.93 m	39 ft 1.5 in	
B Platform height - stowed	1.34 m	4 ft 5 in	
C Platform length - outside	2.26 m	7 ft 5 in	
extended	3.18 m	10 ft 5 in	
Slide-out platform extension deck	91 cm	3 ft	
D Platform width - outside	1.15 m	3 ft 9.3 in	
Guardrail height	1.10 m	3 ft 7 in	
Toeboard height	15 cm	6 in	
E Height - stowed: folding guardrails	2.54 m	8 ft 4 in	
rails lowered	1.88 m	6 ft 2 in	
F Length - stowed	2.44 m	8 ft	
- extended	3.36 m	11 ft	
G Width	1.19 m	3 ft 11 in	
H Wheelbase	1.85 m	6 ft 1 in	
I Ground clearance - centre	10 cm	4 in	
J - with pothole guards deployed	1.9 cm	0.75 in	

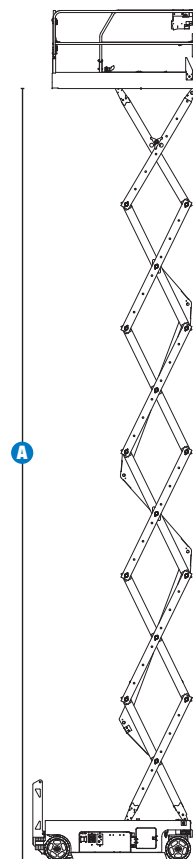
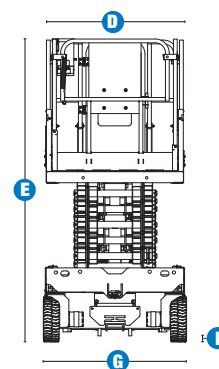
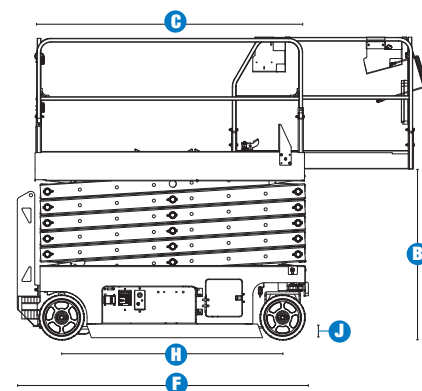
PRODUCTIVITY		
Max platform occupancy (indoor/outdoor)	TBC/-	TBC/-
Lift capacity	350 kg	770 lbs
Drive height	Full height	
Drive speed - stowed	3.1 km/h	1.9 mph
Drive speed - raised	0.8 km/h	0.5 mph
Gradeability - stowed**	25%	25%
Turning radius - inside	zero	zero
Turning radius - outside	2.3 m	91 in
Raise/lower speed	70/40 sec	70/40 sec
Controls	proportional	proportional
Drive	dual front wheel	dual front wheel
Multiple disc brakes	dual rear wheel	dual rear wheel
Tyres solid non-marking	38 x 13 x 28 cm	15 x 5 x 11 in

POWER		
Power source	24 V DC, 300 Ah (four 12 V, 150 Ah batteries in parallel series)	
Hydraulic system capacity	36 L	7.91 gal

SOUND & VIBRATION LEVELS		
Sound pressure level (ground workstation)	< 70 dBA	< 70 dBA
Sound pressure level (platform workstation)	< 70 dBA	< 70 dBA
Vibration	<2.5 m/s ²	<8 ft 2 in/s ²

WEIGHT***		
CE base machine	3,221 kg	7,100 lbs

STANDARDS COMPLIANCE	CE EN280, PB-10-611-03
----------------------	------------------------



* The metric equivalent of working height adds 2 m to platform height. U.S. adds 6 ft to platform height.

** Gradeability applies to driving on slopes. See Operator's Manual for details regarding slope ratings.

*** Weight will vary depending on options and/or country standards.

Features

STANDARD FEATURES

MEASUREMENTS

GS™-4047

- 13.93 m (45 ft 1.5 in) working height
- Up to 350 kg (770 lb) lift capacity

PRODUCTIVITY

- 2.26 x 1.15 m (7 ft 5 in x 3 ft 9.3 in) steel platform
- 91 cm (3 ft 9.3 in) extension deck
- Folding guardrails
- Dual front wheel drive
- Universal 20 amp smart charger
- Rear recessed charger receptacle
- Proportional lift and drive
- Platform control with battery charge indicator and diagnostic display
- Onboard diagnostic system
- AC power to platform
- Full height swing gate
- Lanyard attachment points
- Manual platform lowering valve
- Emergency stop at both platform and ground controls
- Rear wheel multiple disc brakes
- Front wheel hydraulic dynamic braking
- Manual brake release
- Drive speed interlock
- Swing-out component tray
- Solid non-marking tyres
- Pothole guards
- Tilt level sensor with audible alarm
- Descent alarm
- Electronic horn
- Hour meter
- Certified load sensor

POWER

- 24 V DC, 300 Ah (four 12 V 150 Ah batteries in parallel series)



OPTIONS & ACCESSORIES

PRODUCTIVITY

- Air line to platform
- Power to platform (plug, socket and ground fault interrupt earth leakage on request)
- Dual flashing beacons
- Motion alarm
- Automotive-style horn

Enquiries from Europe:

Tel: +31 165 519 361
 Fax: +31 165 511 148
 Email: AWP-InfoEurope@terex.com

Offices:

France

Tel: +33 (0)2 37 26 09 99
 Fax: +33 (0)2 37 26 09 98

Germany

Tel: +49 (0)4221 491 810
 Fax: +49 (0)4221 491 820

Spain

Tel: +34 93 572 50 90
 Fax: +34 93 572 50 91

Scandinavia

Tel: +46 31 57 51 00
 Fax: +46 31 57 51 04

The Netherlands

Tel: +31 165 519 361
 Fax: +31 165 511 148

UK

The Maltings
 Wharf Road
 Grantham NG31 6BH
 UK
 Tel: +44 (0)1476 584333
 Fax: +44 (0)1476 584334

Middle East

Tel: +971 4 399 0381
 Fax: +971 4 399 0382
 Email: AWP.Infome@terex.com

Russia & CIS countries

Tel: +7 495 660 32 30
 Fax: +7 495 660 32 29
 Email: info@terexrus.ru

Corporate Headquarters:

United States

18340 NE 76th Street
 P.O. Box 97030
 Redmond, WA
 USA 98073-9730
 Tel: +1 425 881-1800
 Fax: +1 425 883-3475

Distributed By: