

## Standard Equipment & Options

### Standard Equipment

Fixed ROPS frame	Integral lifting points
Amber Beacon	Fuel and hydraulic oil tanks level gauges (TV1000 to TV1400)
Road Lights - UK Road Traffic Act compliant (TV1300 and TV1400 only)	Vandal Protection Package - Lockable instrument cover to deter vandals / thieves
Site Lights	Centralised greasing points for easy servicing
Gravity Fed Water System (TV800 to TV1200H only)	Vibration insulated operator's station
Pressurised Water System (TV1300 and TV1400 only)	Deluxe operator's seat with lap belt and traction cut-out switch - automatic stop if operator stands up during operation
Drum Scraper Bars Front and Rear (both drums)	
Articulation Lock Bar	Sliding operator seat (TV1200H to TV1400)
Removable plastic water and oil tanks for easy servicing	Fault finding lights on instrument panel
Low maintenance battery	Steering Knob
Single piece tilting engine hood	6 in 1 control lever
Emergency Release Free Wheel Valve (for Towing)	Hour meter

### Optional Equipment

Folding ROPS frame	Audible Reversing Alarm
Road Lights - UK Road Traffic Act compliant (TV800 to TV1200H)	Sun Canopy (TV1000 to TV1400 only)
Pressurised Water Spray (TV800 to TV1200H)	Hydraulic Breaker attachment, tool, valve and hosing - 30 l/min (TV800 to TV900)

Dealer

Effective Date: 01 January 2008. Product specifications and prices are subject to change without notice or obligation. The photographs and/or drawings in this document are for illustrative purposes only. Refer to the appropriate Operator's Manual for instructions on the proper use of this equipment. Failure to follow the appropriate Operator's Manual when using our equipment or to otherwise act irresponsibly may result in serious injury or death. The only warranty applicable to our equipment is the standard written warranty applicable to the particular product and sale and Terex makes no other warranty, express or implied. Products and services listed may be trademarks, service marks or trade-names of Terex Corporation and/or its subsidiaries in the USA and other countries. All rights are reserved. Terex® is a registered trademark of Terex Corporation in the USA and many other countries. © 2007 Terex Corporation. ♻️ Printed on material using 55% recycled fibre from both pre and post-consumer sources, together with 45% virgin ECF fibre from sustainable forests. RS TV 0508-EN

TEREX Construction  
Central Boulevard, ProLogis Park, Coventry, England CV6 4BX  
Tel +44 (0) 2476 339400 Fax +44 (0) 2476 339500  
Email enquiries@terexce.com www.terex.co.uk



## COMPACTION ROLLERS (TANDEM RIDE-ON)



**TV800**    **TV1000**    **TV1300**  
**TV800H**    **TV1200**    **TV1400**  
**TV900**    **TV1200H**

### Specification

Operating Weight	1559 – 4390 kg
Gross Engine Power	16.5 – 32.4 kW (22.1 – 43.4 hp)
Drum Width	800 to 1400mm
Static Linear Load	8.7 to 15.68 kg/cm
Centrifugal Force	10/12.5 to 45/61 kN

### Features

- Powerful and reliable water cooled Kubota engines.
- Superb service access and easy to service components.
- High quality heavy duty design - "rental tough".
- Heavy duty vibration system with high centrifugal force, frequency and static linear load reduces the number of passes required.
- Unique side control arm for increased operator leg room and comfort.
- Unique 6 in 1 control lever for simple and easy operation of all functions.
- Twin drum vibration or rear drum vibration only can be selected via a simple lever.
- Lockable instrument panel, water tank filler flap and bonnet to reduce theft and vandalism.

## Specifications

Performance								
	TV800	TV800H	TV900	TV1000	TV1200	TV1200H	TV1300	TV1400
Total Static Basic Weight (kg)	1446	1504	1455	2385	2740	2927	3240	4175
Operating Weight (kg) CECE	1559	1617	1568	2570	2925	3122	3435	4390
Static Linear load (kg/cm)	9.7	10.1	8.7	12.85	12.18	13.01	13.21	15.68
Frequency - Hz (VPM)	46/52 (2760/3120)				48/56 (2880/3360)			
Amplitude (mm)	0.5	0.5	0.5	0.5	0.6	0.6	0.5	0.5
Centrifugal Force (kN)	10/12.5	10/12.5	10/12.5	17/23	22/30	22/30	27/37	45/61
Gradeability (% - vibration on)	30	30	30	30	30	30	30	30
Gradeability (% - vibration off)	40	40	40	40	40	40	40	40
Drum Shell Thickness (mm)	10.0	10.0	10.0	10.0	13.0	13.0	15.0	25.0
Drum Finish	Machine chamfered edges							
Vibrating drums	Front and Rear or Rear Only (selectable)							

## Engine & Drive

	TV800	TV800H	TV900	TV1000	TV1200	TV1200H	TV1300	TV1400
Engine Make	Kubota	Kubota	Kubota	Kubota	Kubota	Kubota	Kubota	Kubota
Engine Model	D905	D905	D905	D1703-M	D1703-M	D1703-M	V2203-M	V2203-M
Cylinders	3	3	3	3	3	3	4	4
Displacement (cc)	898	898	898	1647	1647	1647	2197	2197
Cooling	Water	Water	Water	Water	Water	Water	Water	Water
Power - kW (HP)	16.5 (22.11)	16.5 (22.11)	16.5 (22.11)	24.5 (32.83)	24.5 (32.83)	24.5 (32.83)	32.4 (43.4)	32.4 (43.4)
Operating Speed	2500/3000	2500/3000	2500/3000	2300/2800	2300/2800	2300/2800	2300/2800	2300/2800
Fuel Type	Diesel	Diesel	Diesel	Diesel	Diesel	Diesel	Diesel	Diesel
Drive (both drums)	Hydrostatic	Hydrostatic	Hydrostatic	Hydrostatic	Hydrostatic	Hydrostatic	Hydrostatic	Hydrostatic
Travel Speed (kph)	8.0	8.0	8.0	10	10	10	10	10
Braking System - Service	Dynamic Hydrostatic (via propulsion system)							
Braking System - Parking	Spring Apply / Hydraulic Release on both drums							

## Watering System

	TV800	TV800H	TV900	TV1000	TV1200	TV1200H	TV1300	TV1400
Tank Capacity (litres)	86	86	86	180	180	200	200	200
Spray Modes	Gravity / Pressure						Pressure	

## Electrical System

	TV800	TV800H	TV900	TV1000	TV1200	TV1200H	TV1300	TV1400
Battery (volts)	12V DC	12V DC	12V DC	12V DC	12V DC	12V DC	12V DC	12V DC
Alternator (amp)	30	30	30	55	55	55	55	55

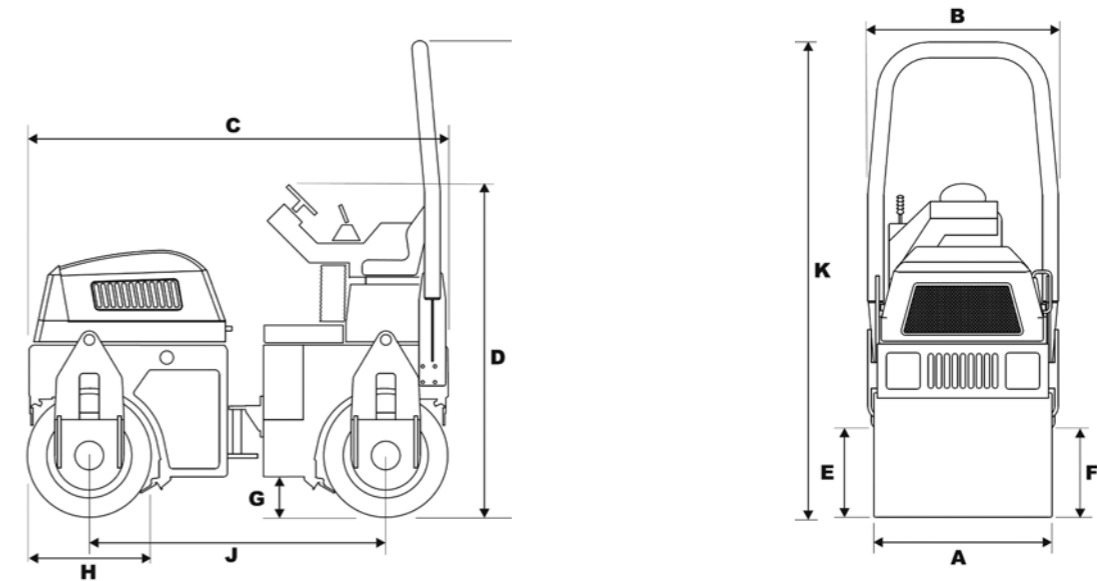
## Lubrication System

	TV800	TV800H	TV900	TV1000	TV1200	TV1200H	TV1300	TV1400
Type	Grease - open loop, parallel circuit with centralised greasing points							

## Emissions

	TV800	TV800H	TV900	TV1000	TV1200	TV1200H	TV1300	TV1400
Engine	EuroMot2 / EPA Tier 2							
Noise (dBA)	106	106	106	106	106	106	106	106

## Dimensions



## Dimensions (mm)

	TV800	TV800H	TV900	TV1000	TV1200	TV1200H	TV1300	TV1400
A - Drum Width (mm)	800	800	900	1000	1200	1200	1300	1400
B - Overall Width (mm)	870	870	970	1070	1270	1270	1370	1470
C - Overall Length (mm)	1860	1860	1860	2375	2375	2375	2375	2375
D - Height to Top of Steering Wheel (mm - Transport Height)	1530	1530	1530	1940	1940	1940	1940	1945
E - Curb Clearance - Right (mm)	420	420	420	555	555	555	555	555
F - Curb Clearance - Left (mm)	390	390	390	490	490	490	490	490
G - Ground Clearance (mm)	200	200	200	230	230	230	230	230
H - Drum Diameter (mm)	550	550	550	700	700	700	700	706
J - Wheelbase (mm)	1260	1260	1260	1675	1675	1675	1675	1675
K - Height to Top of ROPS frame (mm)	2400	2400	2400	2650	2650	2650	2650	2655
Overhang - Left / Right (mm)	35 / 35	35 / 35	35 / 35	35 / 35	35 / 35	35 / 35	35 / 35	35 / 35

## Steering

	TV800	TV800H	TV900	TV1000	TV1200	TV1200H	TV1300	TV1400
Steering Type	Centrepoint Articulation - Double acting (via single hydraulic ram)							
Inside Turn Radius (mm)	1950	1950	1900	2625	2525	2525	2475	2425
Outside Turn Radius (mm)	2820	2820	2870	3695	3795	3795	3845	3895
Frame Articulation (degrees)	30	30	30	30	30	30	30	30
Frame Oscillation (degrees)	8	8	8	15	15	15	15	15

## Capacities

	TV800	TV800H	TV900	TV1000	TV1200	TV1200H	TV1300	TV1400
Hydraulic Tank Capacity (litres)	28	28	28	44	44	44	44	44
Fuel Tank Capacity (litres)	18	18	18	44	44	44	44	44
Water Tank Capacity (litres)	86	86	86	180	180	200	200	200