

MINI DUMPERS


HD850 HD1000 HD1200

Specification

Payload	850 / 1000 / 1200 kg
Gross Engine Power	16.4 kW (22 hp)
Max Skip Capacity	484 - 725 litres

Features

- Operating payloads from 850 to 1200 kg.
- 1.5m discharge height - can tip into standard skip.
- Narrow design enables machines to pass through a standard 1m doorway (HD850 and HD1000 only when fitted with optional narrow tyres).
- "Rental Tough" designs and fabrications to keep you working in tough conditions.
- Exceptional service access and ease of maintenance built into every machine.
- High ground clearance to cope with difficult ground conditions.
- Low centre of gravity for superb stability.
- Hydrostatic transmissions for additional hill-climbing power.

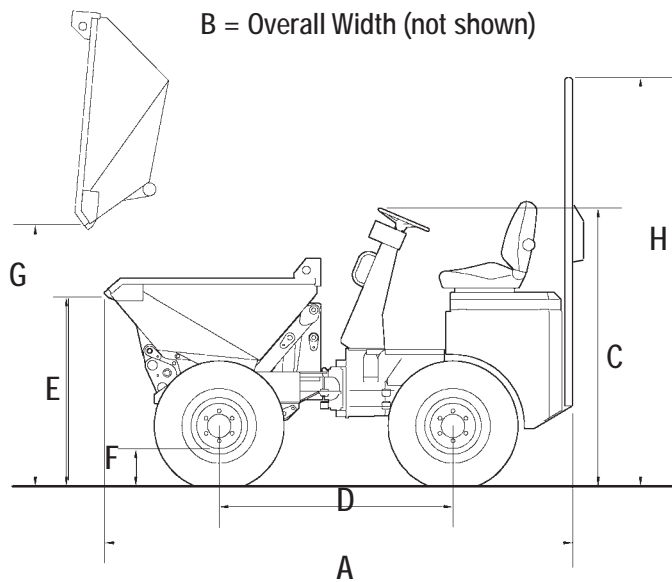
Specifications

Performance			
	HD850	HD1000	HD1200
Payload (kg)	850	1000	1200
Unladen Weight (kg)	1410	1440	1485
Skip Capacity - Water (ltr)	295	338	415
- Struck (ltr)	391	446	548
- Heaped (ltr)	484	577	725
Engine	Kubota D905		
Gross Power - kW (hp)	16.4 (22.0) @ 3000 RPM		
Tyre Size	7.00 x 12 [10.0/75 x 15.3 (opt.)]	7.00 x 12 [10.0/75 x 15.3 (opt.)]	10.0/75x15.3
Drive	Hydrostatic		
Max Travel Speed (kph)	11.0	11.0	11.0

Capacities			
	HD850	HD1000	HD1200
Fuel Tank	42 Litres	42 Litres	42 Litres
Hydraulic Tank	27 Litres	27 Litres	27 Litres

Systems			
	HD850	HD1000	HD1200
Hydraulic	24 l/min, 130 bar		
Braking	Hydrostatic Dynamic		

Dimensions



Dimensions (mm)		HD850	HD1000	HD1200
A	Total Length	2959	2959	2959
B	Total Width	998* / 1120	998* / 1120	1310
C	Height to Top of Steering Wheel	1745	1745	1745
D	Wheelbase	1440	1440	1440
E	Height to Front Lip of Skip (lowered)	1175	1175	1175
F	Ground Clearance	241	241	241
G	Height to Front Lip of Skip (discharged)	1595	1595	1595
H	Height to Top of ROPS (raised)	2483	2483	2483

* When fitted with narrow tyres.

Standard Equipment & Options

Standard Equipment
Folding ROPS frame
Reversing Alarm
Beacon
7.00 x 12 Tyres (HD850)
10.0/75 x 15.3 Tyres (HD1000 and HD1200)

Optional Equipment
Site Lights
Road Lights (RTA)
Rear View Mirror
Grassland Tyres
Narrow Tyres (7.00 x 12 – HD1000 only)
Wide Tyres (10.0/75 x 15.3 – HD850 only)

Dealer

Effective Date: 01 January 2008. Product specifications and prices are subject to change without notice or obligation. The photographs and/or drawings in this document are for illustrative purposes only. Refer to the appropriate Operator's Manual for instructions on the proper use of this equipment. Failure to follow the appropriate Operator's Manual when using our equipment or to otherwise act irresponsibly may result in serious injury or death. The only warranty applicable to our equipment is the standard written warranty applicable to the particular product and sale and Terex makes no other warranty, express or implied. Products and services listed may be trademarks, service marks or trade-names of Terex Corporation and/or its subsidiaries in the USA and other countries. All rights are reserved. Terex® is a registered trademark of Terex Corporation in the USA and many other countries. © 2010 Terex Corporation. ♻️ Printed on material using 55% recycled fibre from both pre and post-consumer sources, together with 45% virgin ECF fibre from sustainable forests.

TEREX514UK

TEREX Construction
Central Boulevard, ProLogis Park, Coventry, England CV6 4BX
Tel +44 (0) 2476 339400 Fax +44 (0) 2476 339500
Email enquiries@terexce.com www.terex.co.uk

